

# NOMEX® BRAND PRESSBOARD

## TECHNICAL DATA SHEET

### Applications in transformers

#### Angle Rings and Caps

insulate windings from each other, from the core, and from the tank. Angle rings and caps manufactured from NOMEX® can be placed close to the winding permitting higher operating temperatures with reduced clearances.

#### Support Washers

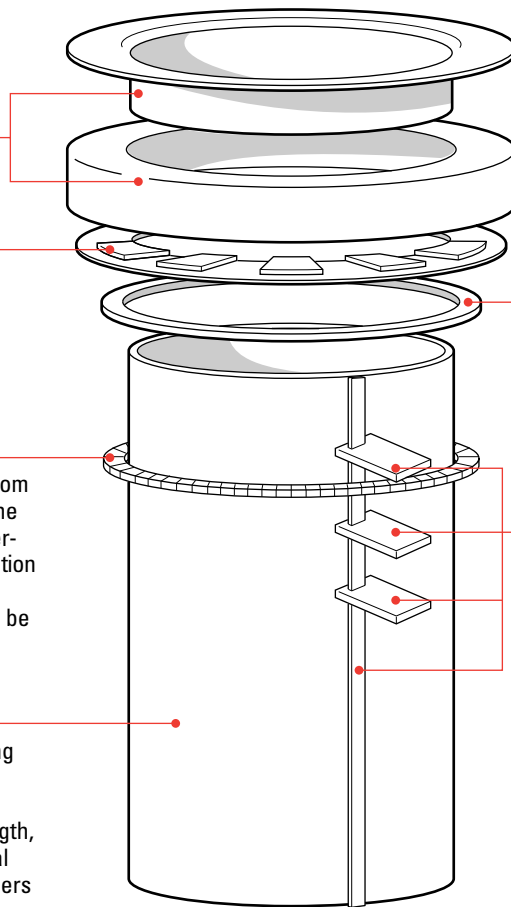
are used both as mechanical support and as major insulation from winding to ground. By replacing those washers closest to the core with NOMEX®, support washers will withstand increased temperatures.

#### Conductor Insulation

is used as turn insulation to insulate turns from each other. Because it is located close to the conductor, it experiences the highest temperatures and usually becomes the limiting insulation component. Conductor insulation produced from NOMEX® paper allows the windings to be operated over wider temperature ranges.

#### Cylinders

function as structural support for the winding and as major insulation from winding to winding and winding to ground. NOMEX® brand products have high mechanical strength, high heat resistance and improved electrical properties which make them ideal for cylinders closest to the winding.



#### Static Rings

equalize stress in and around high voltage windings and grounded components, such as core legs and yokes, permitting reduced clearances. Static rings made from NOMEX® withstand higher temperatures than cellulose insulation.

#### Axial and Radial Spacers

provide mechanical support and direct oil flow. Spacers manufactured from NOMEX® pressboard should be used near the winding as they offer higher dielectric strength, higher compressive strength, and higher temperature capability.

## Applications in rotating apparatus

### V-Rings

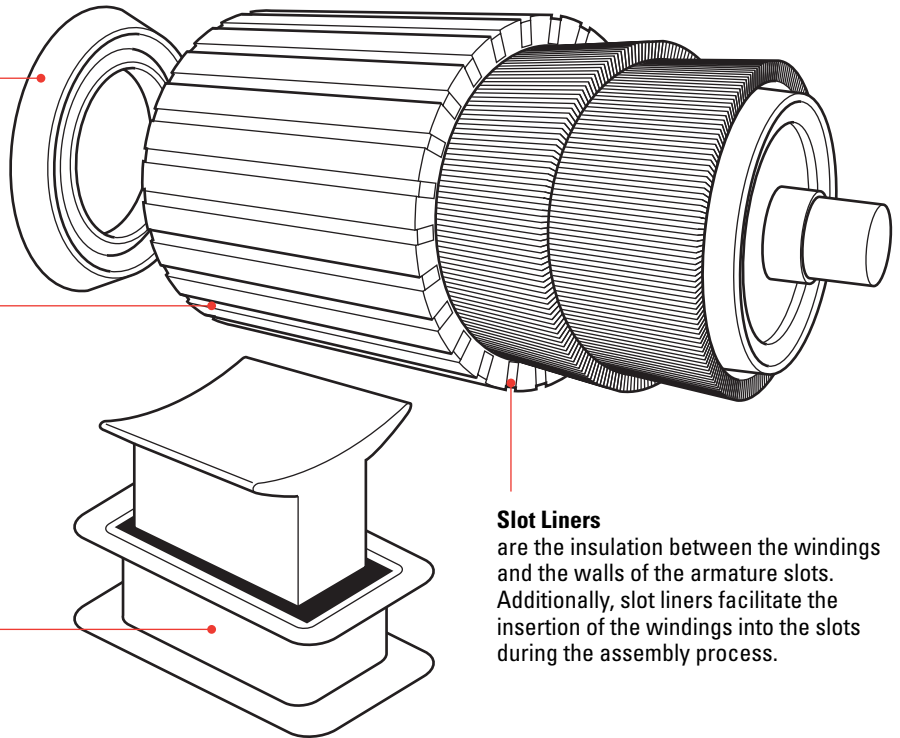
are the insulation between the commutator bars and the motor shaft. V-Rings of NOMEX® brand pressboard are formed from single sheets and, as a result, demonstrate increasing electrical and mechanical strength, as well as simplify the manufacturing process.

### Wedges

are driven into retaining grooves in order to hold the windings in the armature slot. Their design ensures maximum, safe, high speeds in the armature. The high mechanical strength and compression resistance characteristic of NOMEX® pressboard provides greater reliability in this application.

### Spools

are the structural insulation component where field coils are wound. With the coils wound on a spool, a rigid frame permanently insulates the coils from grounds and stops any chafing caused by motor vibration. The formability of NOMEX® increases product integrity and simplifies the design of the spools.



### Slot Liners

are the insulation between the windings and the walls of the armature slots. Additionally, slot liners facilitate the insertion of the windings into the slots during the assembly process.

### USA

DuPont  
Advanced Fibers Systems  
Customer Inquiry Center  
5401 Jefferson Davis Highway  
Richmond, VA 23234  
Tel: (800) 453-8527 (804) 383-4400  
Fax: (800) 787-7086 (804) 383-4132  
e-mail: afscdt@usa.dupont.com

### CANADA

DuPont Canada, Inc.  
Advanced Fibers Systems  
P. O. Box 2200  
Streetsville Postal Station  
Mississauga, Ontario, L5M 2H3  
Canada  
Tel: (800) 387-2122 / (905) 821-5193  
Fax: (905) 821-5177  
e-mail: products@can.dupont.com

### EUROPE

Du Pont de Nemours International S. A.  
P. O. Box 50  
CH-1218 le Grand Saconnex  
Geneva, Switzerland  
Tel: +41-22-717-5111  
Fax: +41-22-717-6218  
e-mail: info.nomex@che.dupont.com

### SOUTH AMERICA

DuPont do Brasil S. A.  
Alameda Itapecuru, 506  
BR-06454-080 Alphaville  
Barueri, Sao Paulo, Brasil  
Tel: +0800-17-17-15  
+55 11 4166 8449  
Fax: +55 11 7266 8904  
e-mail: produtos.brasil@bra.dupont.com

### JAPAN

DuPont Teijin Advanced Papers (Japan) Limited  
ARCO Tower,  
8-1, Shimomeguro I-chome  
Meguro-ku, Tokyo 153-0064  
Japan  
Tel: +81-3-5434-6609  
Fax: +81-3-5434-6605  
e-mail: chihiro.kondo@jpn.dupont.com

### ASIA PACIFIC

DuPont Teijin Advanced Papers (Asia) Limited  
1122 New World Office Building, East Wing  
24 Salisbury Road  
Tsimshatsui, Kowloon  
Hong Kong  
Tel: +852-2734-5363  
Fax: +852-2734-5486  
e-mail: nomexpaper@hkg.dupont.com

DuPont on the web:

[www.dupont.com/nomex](http://www.dupont.com/nomex)

#### Product safety information is available upon request

This information corresponds to our current knowledge on the subject. It is offered solely to provide possible suggestions for your own experiments. It is not intended, however, to substitute for any testing you may need to conduct to determine for yourself the suitability of our products for your particular purposes. This information may be subject to revision as new knowledge and experience becomes available. Since we cannot anticipate all variations in actual end-use conditions, DUPONT MAKES NO WARRANTIES AND ASSUMES NO LIABILITY IN CONNECTION WITH ANY USE OF THIS INFORMATION. Nothing in this publication is to be considered as a license to operate under or a recommendation to infringe any patent right.